



PROJECT		REF		REV	ITEM CODE	
LOCATION		DATE			PAGE	

SANITARY WARE SPECIFICATION SHEET

Item Descriptions	GROHE (Germany) "Essence" Chrome plated single-lever basin mixer 1/2" L-size; nominated flow rate 5.5 L/min in WELS Grade 2 ; Registration No. TM 17-0192
Dimensions	L127 x W100 x H244 mm
Model	23541001
Finish	Chrome Plated
Country of origin	Portugal
Manufacturer	GROHE Limited
Supplier	Acme Sanitary Ware Co. Ltd Mr. Eric Wong/ Mr. Don Yuen
Contact Tel/Fax	(852) 2388-7171 / (852) 2710-8012
E-mail	acme@acmesanitary.com.hk
Website	www.acmesanitary.com.hk

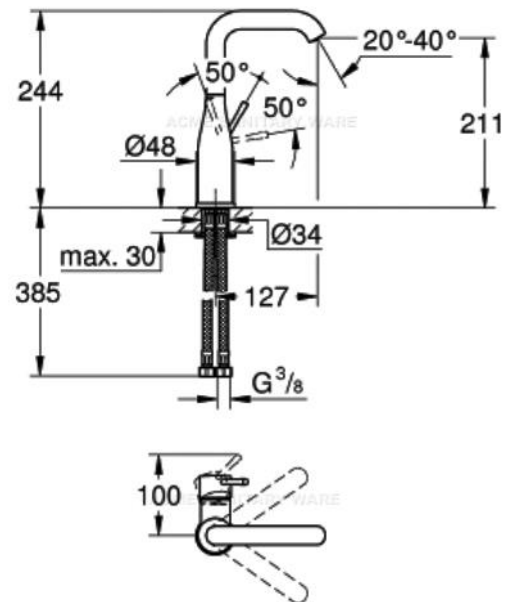
Illustration/ Drawing



AquaGuide

Dynamic flow pressure (kPa)	50	150	250	350	500
Flow rate (l/min)	3.10	5.10	6.00	5.60	5.50

Essence
Single-lever basin mixer 1/2"
L-Size
single hole installation
metal lever
GROHE SilkMove 28 mm ceramic cartridge
with temperature limiter
GROHE StarLight chrome finish
GROHE EcoJoy mousseur 5.7 l/min
GROHE AquaGuide adjustable mousseur
GROHE QuickFix Plus installation system
swivel spout with mousseur and stop limiter
smooth body
flexible connection hoses
min. recommended pressure 1.0 bar



Note:

* All information of the above is for the reference only. No prior notice is made if any changes.



自願參與用水效益標籤計劃 - 水龍頭
Voluntary Water Efficiency Labelling Scheme - Water Taps



茲證明
This is to certify that

將下列水龍頭在本計劃內註冊：
has registered the following water tap under this scheme :

牌 子 / Brand	:	GROHE
型 號 / Model	:	23541XX1
種 類 / Type	:	Mixing
原產地 / Country or Region Origin	:	Portugal

在用水效益標籤上展示的標誌

Symbolic Presentation on the Water Efficiency Label : 

滴水點

Water droplet(s)

用水效益級別

Water Efficiency Grade : 2

耗水量

Water Consumption : 5.5

公升/分鐘

litres/minute

簽發日期： 16 November 2017
Date of Issue:



水務署
Water Supplies Department



水務署署長(周世威代行)
for Director of Water Supplies